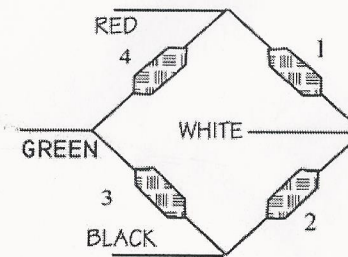
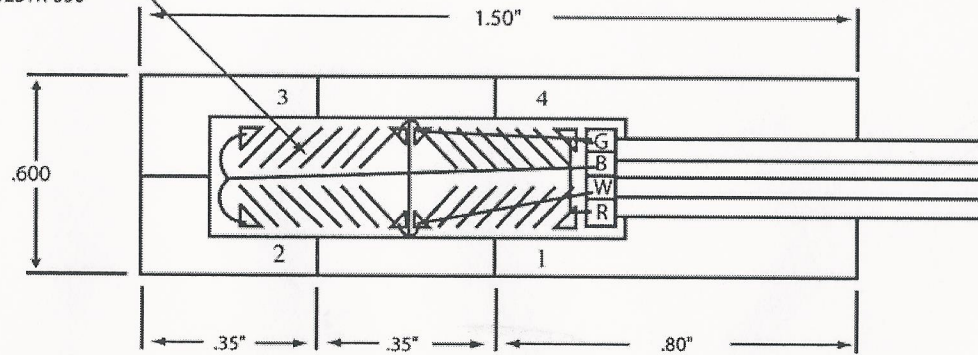
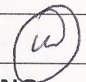



ACTIVE ELEMENT:
EA06125TK-350
(X2)



SPECIFICATIONS				HITEC PRODUCTS, INC.	
SENSOR TYPE	EA-06-125TK-350 or equiv.	TEMP. COMPENSATION	6ppm/°F (1018 steel)	GAGE DESCRIPTION: HBWS-35-125-6-0.5VR-FB	
SENSOR ALLOY		STRAIN DESCRIPTION	Static/Shear	DRAWING NO.: 80-838	
SENSOR LENGTH	0.125"	MAX. OPERATING TEMP.	180°F		
GAGE FACTOR(nominal)	8.0 (composite)	INTERMEDIATE WIRE	None	APPROVED BY: 	DATE: 4/10/17
GAGE RESISTANCE(nominal)	350 Ohms	TRANSITION DIMENSIONS	None	CUSTOM DRAWING:	
CABLE TYPE	4 Conductor vinyl ribbon	SHIM MATERIAL	Standard		
CABLE LENGTH	6" Standard	SHIM DIMENSION	.60" X 1.5"		
ENCAPSULATION	100% Immersion tested in clear water	NOTES:			