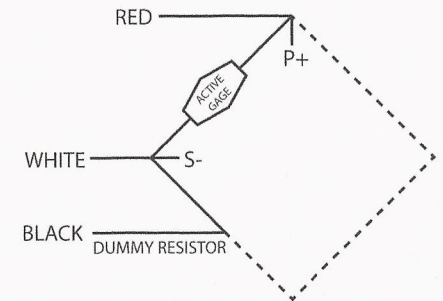



WIRING DIAGRAM



SPECIFICATIONS

HITEC PRODUCTS, INC.

SENSOR TYPE	EA-06-20CBW-120 or equiv.	TEMP. COMPENSATION	6ppm/°F	GAGE DESCRIPTION: HBP-12-2000-C-VR	
SENSOR ALLOY		STRAIN DESCRIPTION	Static	DRAWING NO.: 80-815	
SENSOR LENGTH	2.0"	MAX. OPERATING TEMP.	180°F		
GAGE FACTOR(nominal)	2.0	INTERMEDIATE WIRE	None	APPROVED BY: <i>BP</i>	DATE: <i>4/4/17</i>
GAGE RESISTANCE(nominal)	120 Ohms	TRANSITION DIMENSIONS	None	CUSTOM DRAWING:	
CABLE TYPE	3 cond. Vinyl Ribbon	SHIM MATERIAL	Polyimide (bondable)		
CABLE LENGTH	Customer Specified	SHIM DIMENSION	.80" X 3.5"		
ENCAPSULATION	Water Resistant	NOTES:			